


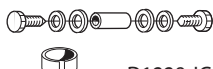

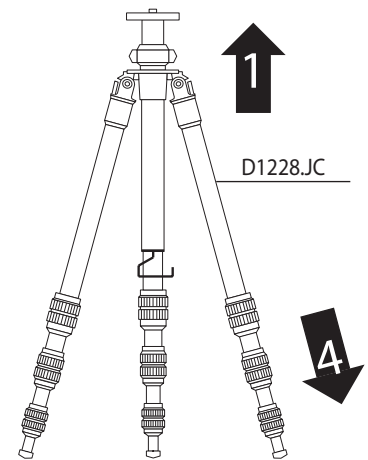


KITS

- A**  D1228.JB (complete tripod)
- B**  D1228.JS (complete tripod)
- C**  D101.JP (3pcs)
- D**  D1228MK2.FJ (one leg)
- E**  D1228.JG (complete tripod)

REPORTER
MOUNTAINEER



G1228