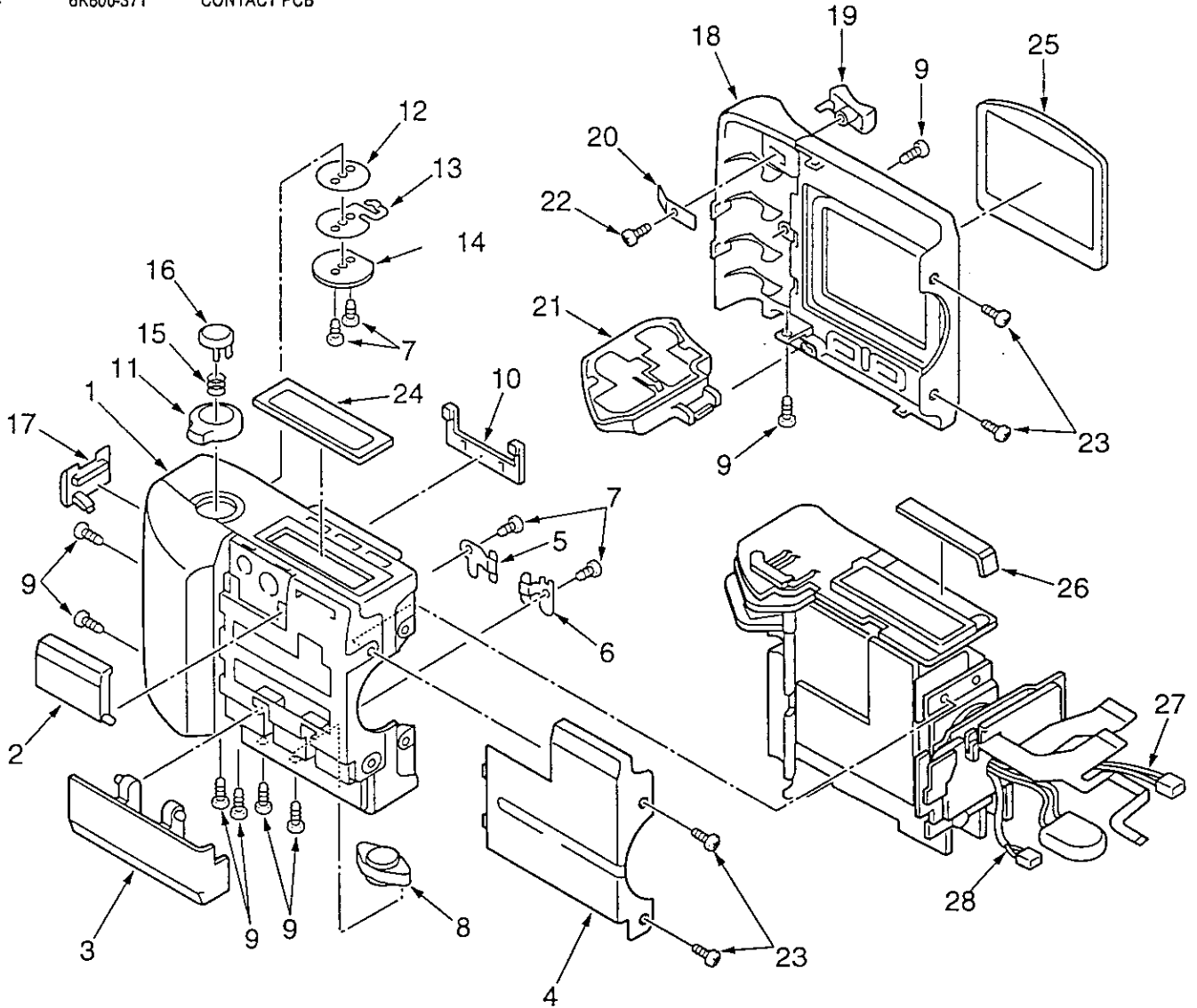


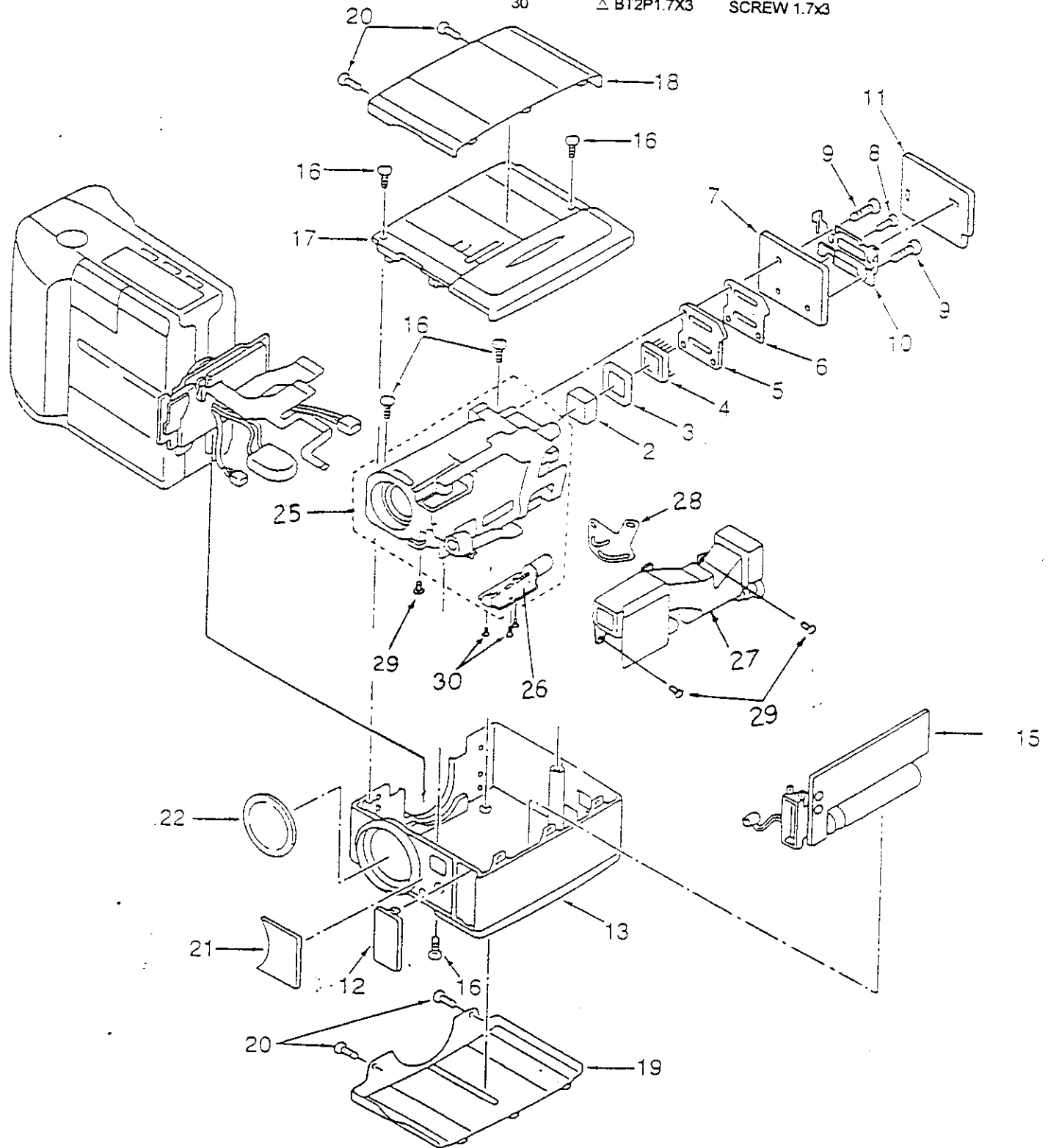
LOCATION	PARTNO.	DESCRIPTION	LOCATION	PARTNO.	DESCRIPTION
<b>CABINET 1</b>					
1	636 052 1766	FRONT LCD COVER ASSY	15	636 052 1483	SHUTTER SPRING
2	636 052 8703	JACK COVER	16	636 052 8758	SHUTTER BUTTON
3	636 052 7171	CARD COVER ASSY	17	636 051 8834	SERIAL COVER JACK
4	636 051 8339	FRONT LCD COVER	18	636 052 1780	LCD BACK COVER ASSY
5	636 052 5610	CARD R PLATE	19	636 051 9015	POWER ZOOM KNOB
6	636 052 5603	CARD L PLATE	20	636 051 9060	POWER ZOOM SPRING
7	412 058 1302	SCREW-1.7X3.0	21	636 052 1827	BATTERY COVER
8	636 051 9022	STAND	22	411 175 6405	SCREW-1.7X2.5
9	412 057 8401	SCREW-1.7X4.0	23	412 057 8104	SCREW-1.7X3.5
10	636 051 9237	HOLDER COVER JACK	24	636 052 1148	DISPLAY LCD COVER
11	636 051 9008	MODE KNOB	25	636 052 1155	MONITOR LCD COVER
12	636 052 9014	MODE SPACER	26	636 052 5580	SPACER
13	636 051 9077	MODE SPRING	27	636 052 0509	ASSY,WIRE PW1&ST1
14	6K600-371	CONTACT PCB	28	636 052 6112	ASSY,WIRE CA1&CA2





# CABINET 3

LOCATION	PARTS NO.	DESCRIPTION	LOCATION	PARTS NO.	DESCRIPTION
1	△ 6B100-165	OPTICAL UNIT ASSY.	15	6B060-222	FLASH UNIT
2	645-028-0481	OPTICAL FILTER	16	412-057-8401	SCREW 1.7x4
3	636-052-0752	SPACER	17	636-052-6099	BACK LENS COVER ASSY
4	409-422-3604	CCD	18	636-051-8360	BACK LENS COVER
5	636-052-0745	MOUNTING LENS	19	636-051-8353	FRONT LENS COVER
6	636-052-0769	SPACER, INSULATOR	20	412-057-8104	SCREW 1.7x3.5
7	636-051-7738	COMP. PWB, CA-1	21	636-052-1162	FRONT FINDER COVER
8	411-020-0701	SCREW 1.7x4	22	6K110-276	LENS PROTECTION GLASS
9	411-169-9603	SCREW 1.7x6E	25	△ A1A00048	LENS UNIT
10	636-051-9763	SHIELD CASE (N.S.P.)	26	△ A3-06173	MOTOR UNIT
11	636-051-7752	COMPL. PWB, SY-2	27	△ 6B100-170	UNIT FINDER
12	6K999-005	FLASH COVER	28	△ 6K300-005	PLATE CAM
13	636-052-1797	FRONT LENS COVER ASSY.	29	△ BT2P1.7X4	SCREW 1.7x4
			30	△ BT2P1.7X3	SCREW 1.7x3



LOCATION	PARTNO.	DESCRIPTION	LOCATION	PARTNO.	DESCRIPTION
<b>CABINET 3</b>					
1	68100-165	OPTICAL UNIT ASSY	12	6K999-005	FLASH COVER
2	645 028 0481	OPTICAL FILTER	13	636 053 3349	FRONT LENS COVER ASSY
3	636 052 0752	SPACER	14	6K467-044	LENS CAP
4	409 422 3604	CCD	15*	6B060-240	FLASH UNIT
5	636 052 0745	MOUNTING, LENS	16	412 057 8401	SCREW-1.7X4.0
6	636 052 0769	SPACER, INSULATOR	17	636 052 6099	BACK LENS COVER ASSY
7	636 051 7738	COMPL PWB, CA-1	18	636 051 8360	BACK LENS COVER
8	411 020 0701	SCREW 1.7X4	19	636 051 8353	FRONT LENS COVER
9	411 169 9603	SCREW 1.7X6E	20	412 057 8104	SCREW-1.7X3.5
10	636 051 9763	SHIELD CASE-CA1, SIDE-B	21	636 052 1162	FRONT FINDER COVER
11	636 051 7752	COMPL PWB, SY-2	22	6K110-276	LENS PROTECTION COVER
			23*	6S040-033	UNIT, TERMINAL
			24*	6K467-045	TERMINAL CAP
			25*	1K030-005	NUT

